

**LEWIS
ELECTRIC**
444 W. Mowry Street
Homestead, FL 33030

**Thank You for downloading at the
Lewis Electric Web Site.**

**We hope you found the information you
were looking for and look forward to doing
Business with you.**

**This information is Copyrighted by The
Whistler Corporation and is subject to
change without notice.**

**Please read all of the Warnings regarding
Installation and Design of a complete
operator system!**



Dade County (305) 247-3721 Fax (305) 245-9347 Monroe County (305) 852- 7585
State License - EC #0001734 Dade CC# 2005 Monroe EC# 807
<http://www.lewiselec.com/> E-Mail Info@lewiselec.com

STANLEY

Specifically Designed for Light-Duty Residential Applications

Stanley's Model 430 residential gate operator is the practical and economical way to add convenience, security and value to your home and property. It has been specifically designed to deliver years of dependable performance.

Homeowner Benefits:

Convenience: Your gate will open at the press of a button, eliminating the need to get out of the car in bad weather. Two-channel and four-channel transmitters are available for gate/garage door operator combinations.

Security: The Model 430 swing gate operator makes it easy to open and close your gate from the safety of your car. Puts an end to getting out of the car alone late at night, to open the gate.

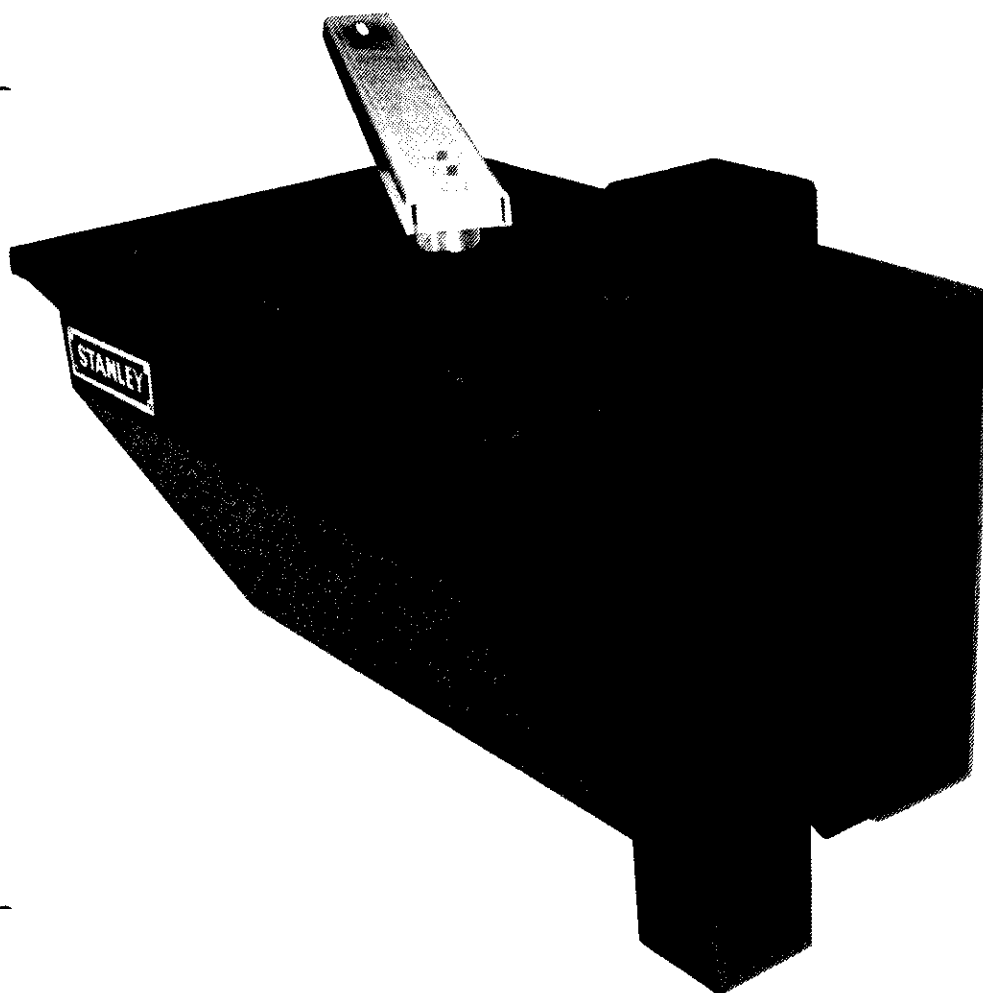
Added Value: Automatic gate operators add value—and privacy—to your home and property.

Additional Features:

- 1/3 H.P. motor
- Durable solid-state circuitry
- Minimal maintenance—no lubrication needed
- Safety reverse allows gate to reverse if it meets a vehicle while closing

Depend on Stanley

The Stanley name is your assurance of American-built quality. Stanley is the industry leader, with careful quality control procedures and operational testing during each step of production.



STANLEY

Model 430 Light-Duty Residential Swing Gate Operator

Specifications:

- 1/3 H.P., 115-volt single-phase motor
- Durable solid-state circuitry
- Left/Right hand electrical conversion on the circuit board
- Quick disconnect linkage can be locked for added security
- Worm gear drive mechanism
- UL/CSA listed

Model 430 Swing Gate Operator shall have a 1/3 H.P., 115-volt permanent split capacitor motor with integral thermal overload protection. Worm gear drive with double chain reduction. Limit switches are readily adjustable. All control features shall be controlled by a single solid-state circuit board which incorporates the following: maximum close timer, reversal delay, Left/Right hand conversion switches, varistor surge protection, zero start up circuitry and "power-on" indicator. Operator also has an obstruction sensing adjustment to reverse the gate should it meet a vehicle while opening or to stop the gate should it meet a vehicle while closing. Lockable manual disconnect. Enclosure 14-gauge painted galvanized steel. UL/CSA listed.

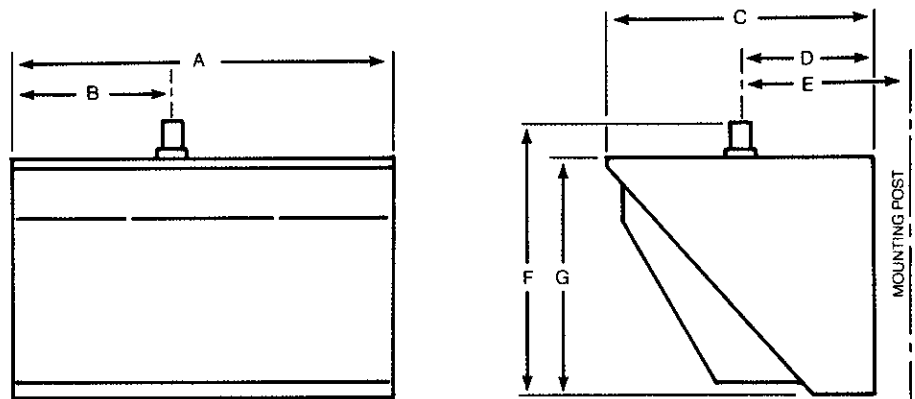
Simultaneous operation of two gates is simplified by master/slave features built into existing wiring in each gate operator. Contact your Stanley dealer for more information.

Recommended Capacities of Model 430:

Designed for chain link, tubular steel or ornamental iron gates

Model	Motor	Maximum Gate Leaf	Seconds to Open Gate	Maximum Gate Weight	Frequency of use (Complete cycles/hour)
430	1/3 hp	10 ft.	13-17 sec.	150 lbs.	5

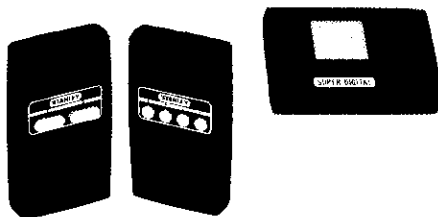
Dimensions:



Model	A	B	C	D	E	F	G
430	17 ³ / ₄ "	7 ¹ / ₂ "	12 ³ / ₈ "	5 ⁹ / ₁₆ "	7 ⁵ / ₁₆ "	12 ³ / ₈ "	10 ⁷ / ₈ "

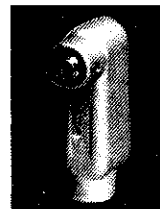
Controls and Accessories to Complement Model 430:

Digital Transmitters are available in one, two and four channels. The digital feature allows you to choose and set your own private code quickly and easily from 1,024 possibilities. All transmitter models use a 9-volt battery.



The two and four-channel transmitters are perfect for gate/garage door operator combinations. They feature independent code settings eliminating the need for more than one transmitter in your car. (Separate receivers are required).

Keyswitch can be installed enabling you to open or close your gate without a transmitter



Push-Button Wall Switch operates your gate from the house without a transmitter—convenient when company arrives (one provided with each unit).

Mechanical Gate Lock to be used with the Model 430 Residential Swing Gate Operator where added security is necessary. Adapts easily to most 430 Swing Gate installations.



Do not allow children to play with the gate operator. Serious injury can result. Keep children and pets away from the gate when it is opening or closing.

STANLEY
helps you do things right.®

Stanley Commercial Automation
A Business of Stanley Home Automation
41700 Gardenbrook Rd.
Novi, MI 48050
Phone (313) 344-0070